

## Sink Foster Marine

Bowl on the left

Kitchen Sinks

Code: 1975 962



### DETAILS

Edge/Installation Type

Flat Edge

Material

Stainless steel AISI 316

Texture

Foster brushed

Base

45 cm

Dimensions

873x513 mm

Standard fittings

Fixing hooks, gasket, drain, overflow and siphon, boxed packing

Mixer holes

1 standard hole - 2nd hole on request

Built-in hole

840 x 480 mm

Drainer

Yes

Width 87 cm

---

Bowl dimension 362,5x400mm

---

Notes: Preassembled seals

---

Number of bowls 1 bowl

---

Waste fitting 3,5" drain

---

## FEATURES

**2nd / 3rd hole available** The sink can be customized with the execution on request of additional holes, usable for double-hole mixers, for remote controlled drains or for the installation of soap dispensers. The positions are marked on the drawings with dotted line holes.

---

**Basket 3,5" waste fitting** The drain is equipped with a large 3.5" drain, with the practical basket cap that prevents the discharge of solid parts.

---

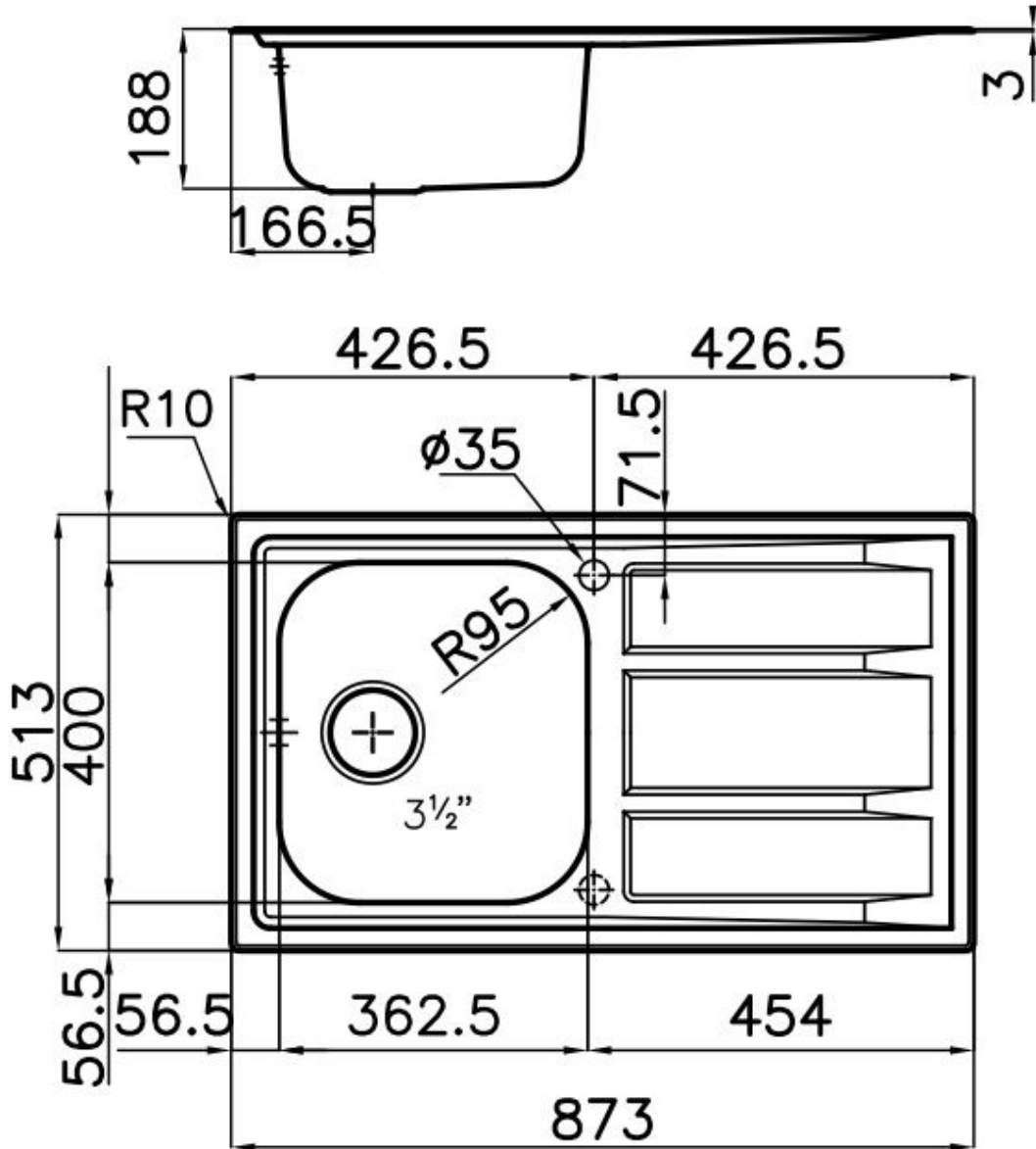
**Marine stainless steel** The Marine collection of sinks and hobs uses AISI 316 stainless steel, a superior quality material and widely used in the marine industry, which guarantees the best resistance to the corrosive effects of acids contained in food, salt and detergents.

---

**Pre-installed gasket** The pre-assembled gasket allows a comfortable and quick installation.

---

## TECHNICAL DATA



## GALLERY



## OPTIONAL ACCESSORIES



**Glass chopping board**  
8631 300



**HPDE Chopping board**  
8657 001



**Stainless steel basket**  
8611 000

## OPTIONAL AUTOMATIC WASTE FITTINGS



**Automatic waste fitting**  
8407 100



**Automatic waste fitting**  
8407 000



**LIRA automatic waste fitting**  
8407 102



**LIRA automatic waste fitting**  
8407 103